

FAST MOVING TECHNOLOGY

*STÄUBLI*

# Automatic Rapid Charging Solution QCC for AGV

Applications | Special Catalogues



# Automatic rapid charging solution

**With its innovative connector for rapid charging systems, Stäubli provides a solution for automatic charging of electric vehicles (AGVs, buses, trucks, boats, and other vehicles). This makes it possible to transmit high levels of power quickly, which ensures fast recharging of energy storage devices.**

This rapid charging solution enables, for instance, noise- and emission-free transportation of goods without the necessity for uneconomical large and heavy batteries. The amount of stored energy required is reduced, and the vehicle can better serve its purpose – transport of the weight of goods, not the weight of batteries. Furthermore due to a fast recharging process the effect on the vehicle operation schedule is minimized.

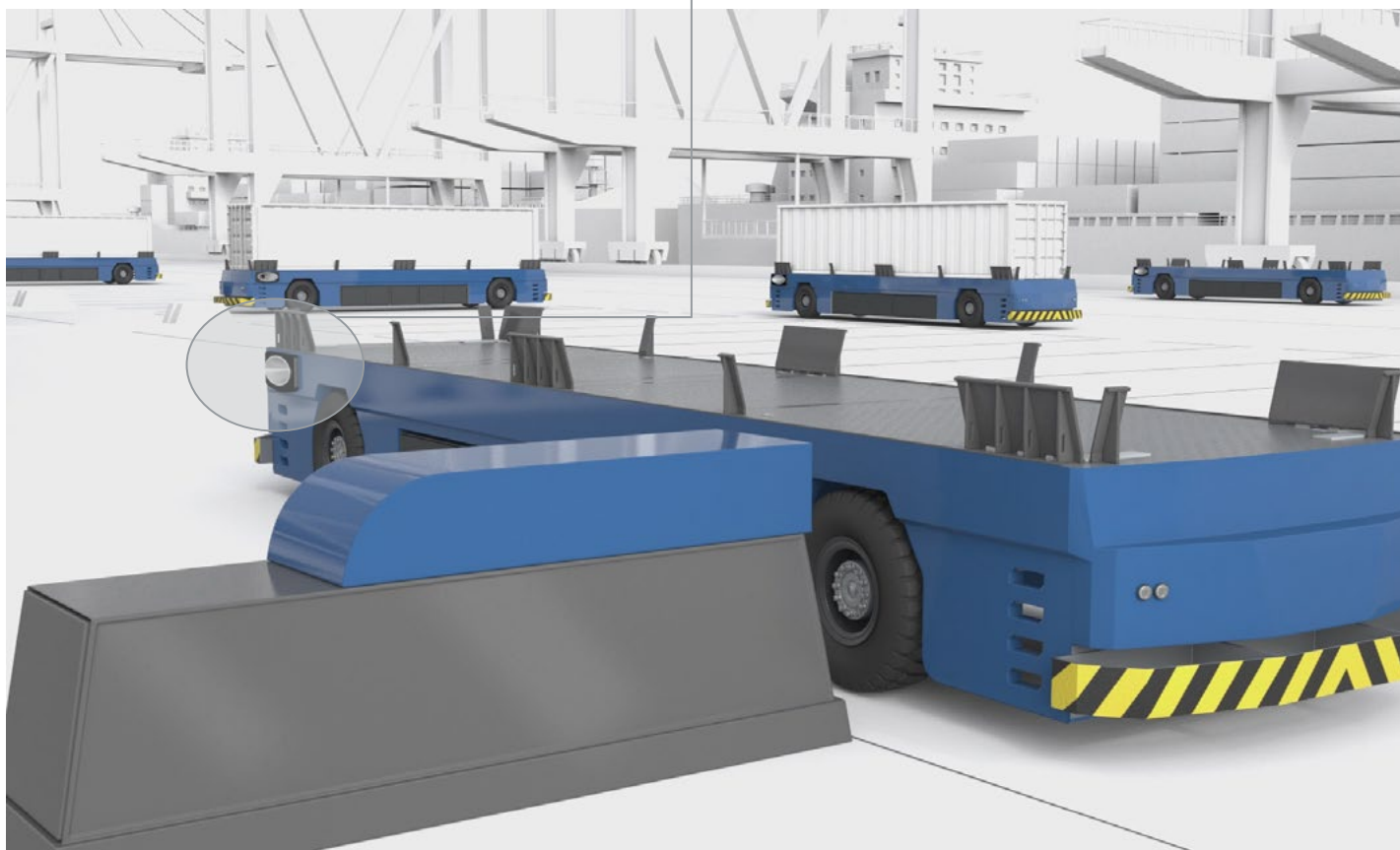
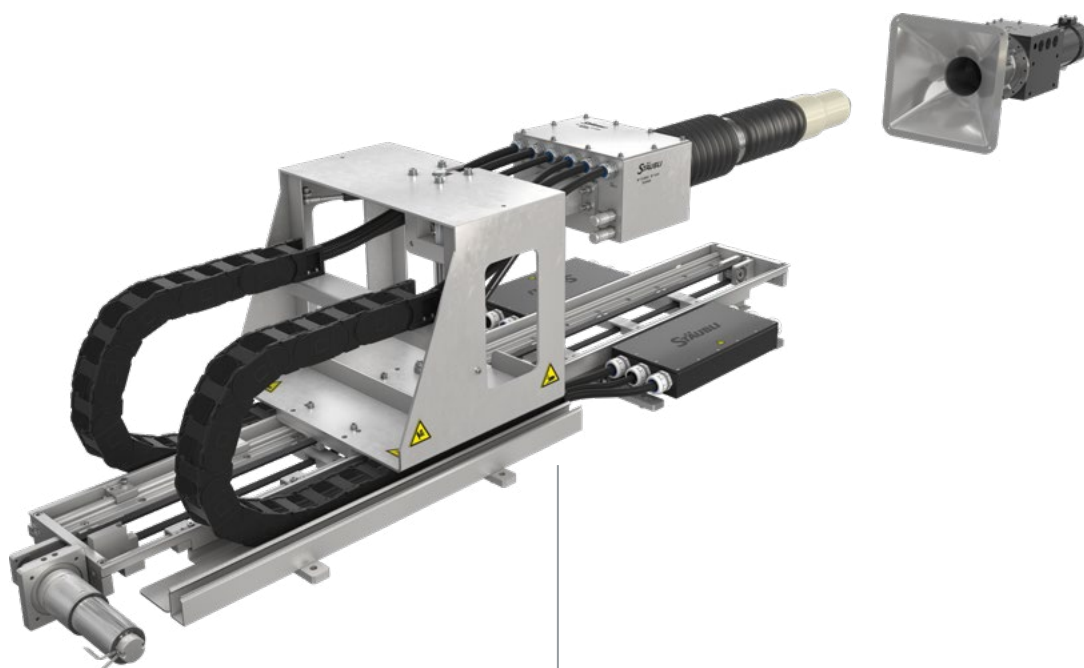
## Main advantages at a glance:

- Reliable and fully automated solution
  - Integrated angular and positioning misalignment compensation
  - No need for additional positioning sensors or adjustment parts
- Increased cost efficiency
  - Reduced battery size and lower costs
  - Integrated self-cleaning mechanism guarantees reliable, low-maintenance operation and a long service life
  - Designed for high numbers of mating cycles
- High level of safety
  - Completely touch-protected
  - Waterproof
  - Low contact resistance
- Compact and versatile
  - Easy to retrofit
  - Installation does not require major construction
  - Small footprint
- Easy to integrate

We can help you to realize your project from planning and design to integration.

General data		
	QCC2	QCC3
Rated voltage	DC 1500 V	
Rated current	315 A	670 A
Opportunity charging current (up to 3 minutes)	640 A	1440 A
Number of poles	2 + PE	
Number of signal contacts	5	6
Degree of protection, mated and unmated	IP55	
Standards	SAE J3105 SAE J3105/3	

We are a solution provider –  
from the first concept to the final product





■ Stäubli Units    ○ Agents

# Global presence of the Stäubli Group

[www.staubli.com](http://www.staubli.com)